

TA / EA OFFICE
WORKSTATION FOR 2
4th Floor



www.wood-styles.com

Copyright of designs shown herein is retained by this office. Authority is required for any reproduction. © Copyright Wood-styles Ltd.

Nigeria, Lagos +234 80 9037 9888

Email: info@wood-styles.com

Project



Owner

Date

Description

DSD-V1-ID-17/11/2024 - REV1



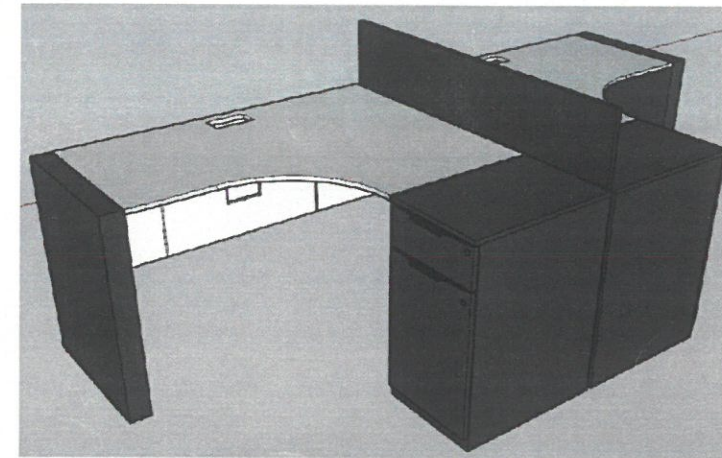
FOR APPROVAL

Project No. : ---
Scale : N/A
Drawn by : OBJ
Checked : OBJ
Cad File : CAD_FILE

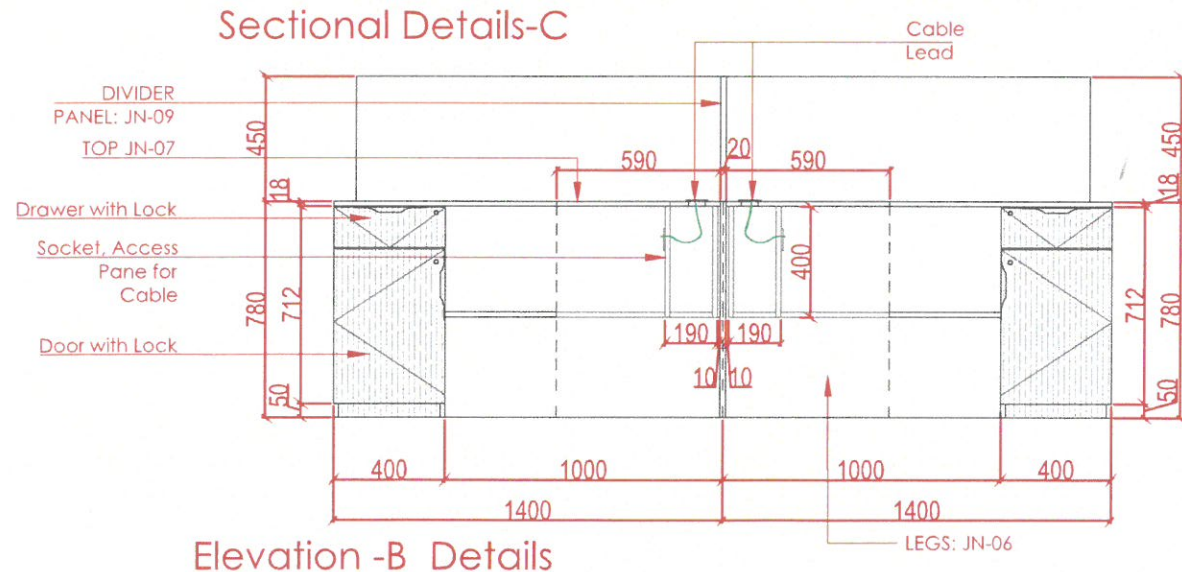
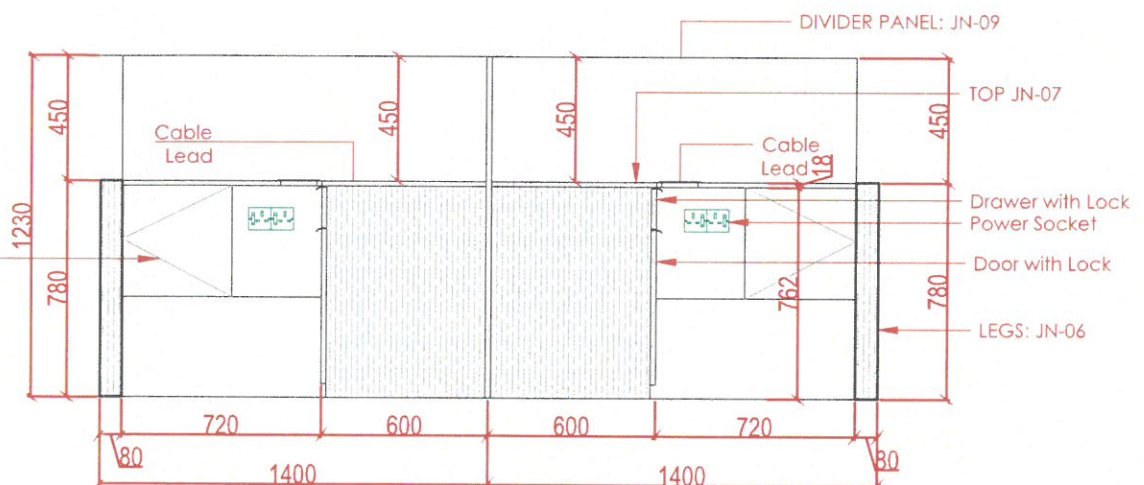
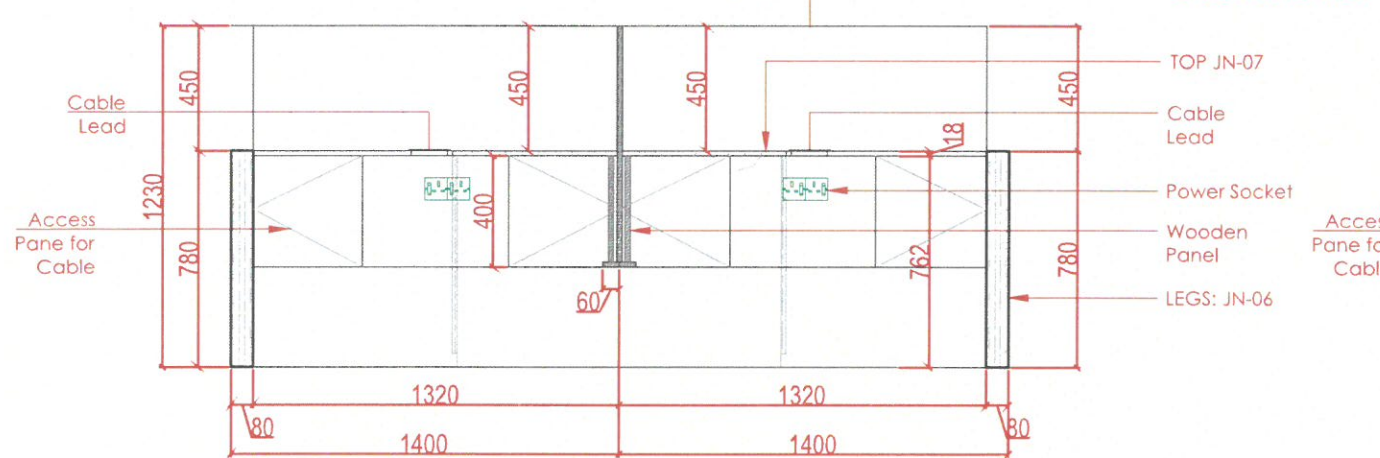
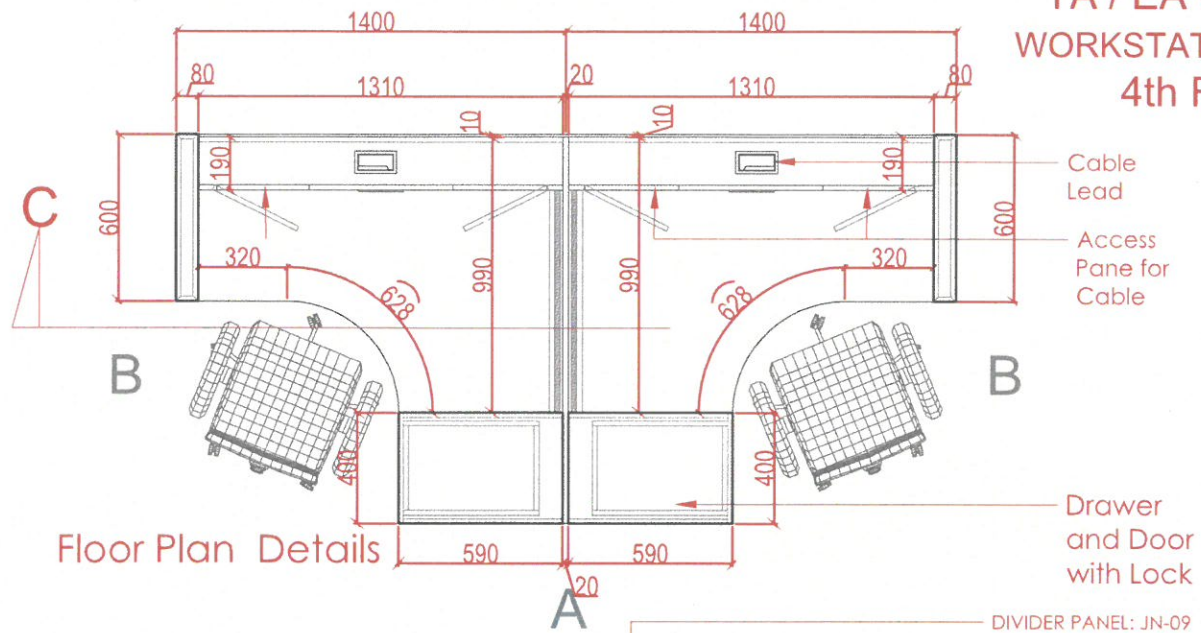
Sheet title
4TH FLOOR
TA / EA OFFICE
WORKSTATION FOR 2
Floor Plan / Elevation / Sections

Dwg No. : WS-DS-SD-ND-033

No. : SHEET 1



REF. IMAGE



| FINISHES | |
|----------------------|--|
| DIVIDER PANEL: JN-09 | |
| TOP JN-07 | |
| LEGS: JN-06 | |

Walter Smith Cable mgmt - 2 pcs
Push to open for power class - 4 pcs
Handles - 4 pcs
Locks - 4 pcs
Drawer rails 40cm - 2 pcs

Project



Owner

Date Description
DSD-V1-ID-17/11/2024 - REV1



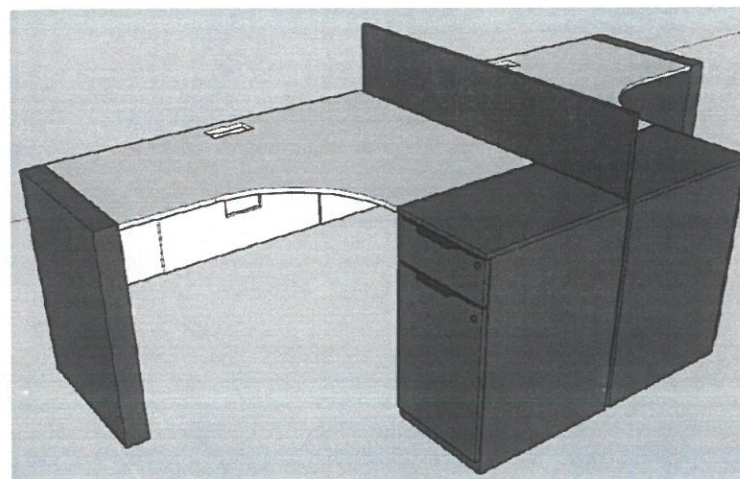
FOR APPROVAL

Project No. : ---
Scale : N/A
Drawn by : OBJ
Checked : OBJ
Cad File : CAD_FILE

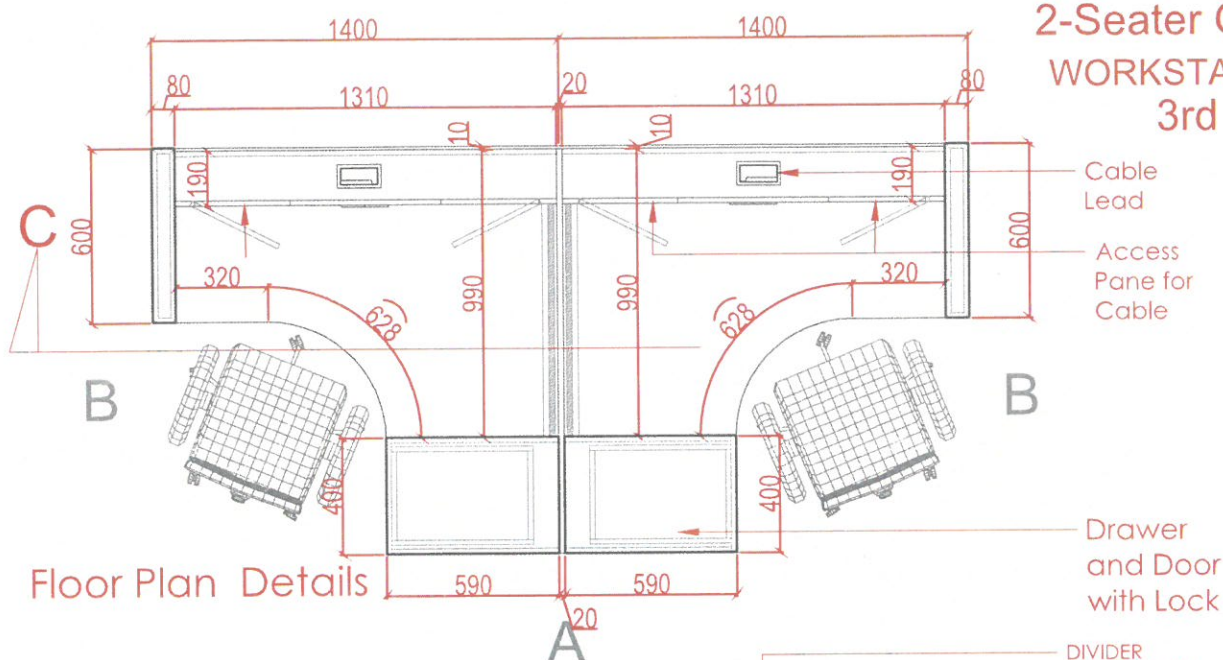
Sheet title
3rd FLOOR
2-Seater Open Office
WORKSTATION FOR 2
Floor Plan / Elevation / Sections

Dwg No. No.
WS-DS-SD-ND-001 SHEET 1

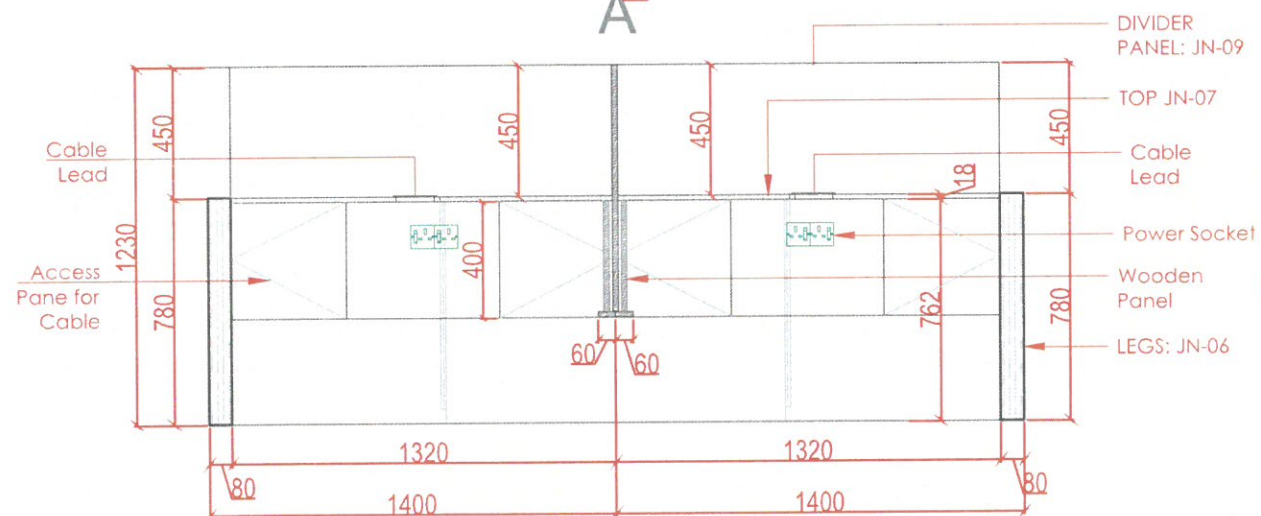
**2-Seater Open Office
WORKSTATION FOR 2
3rd Floor**



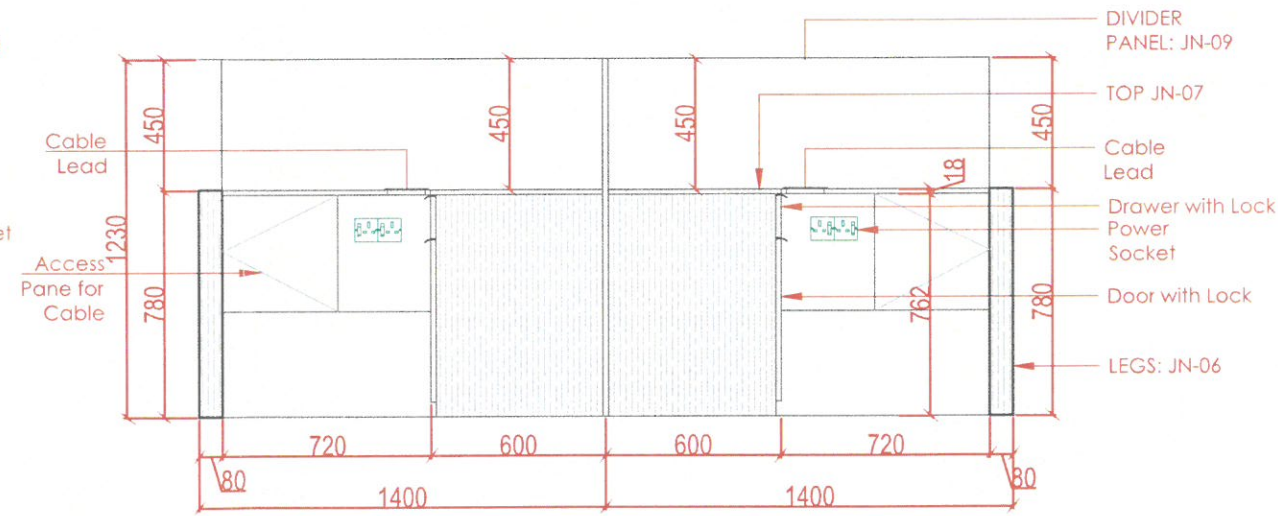
REF. IMAGE



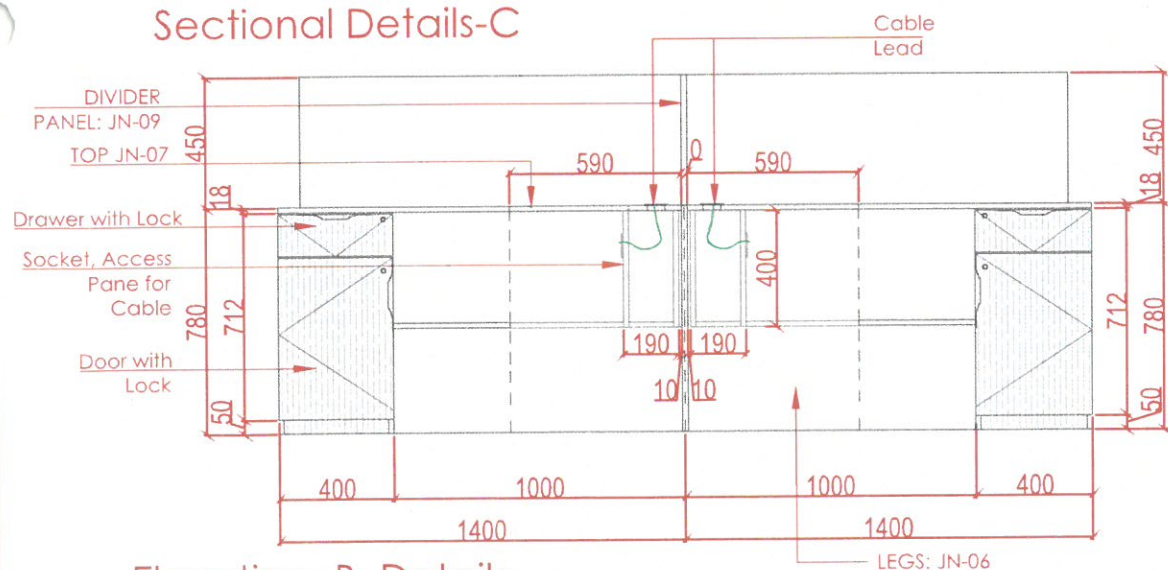
Floor Plan Details



Sectional Details-C



Elevation -A Details



Elevation -B Details

Handwritten notes:
push to open for inner door? - 4 pcs
Handles - 4 pcs
Locks - 4 pcs
Drawer rails 40 cm - 2 pcs
Walter Smith cable magnet - 2 pcs

FINISHES

| | |
|----------------------|--|
| DIVIDER PANEL: JN-09 | |
| TOP JN-07 | |
| LEGS: JN-06 | |